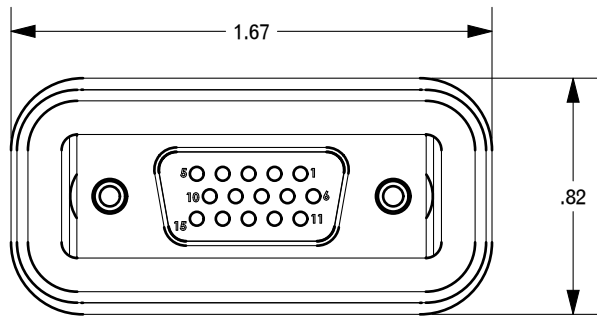
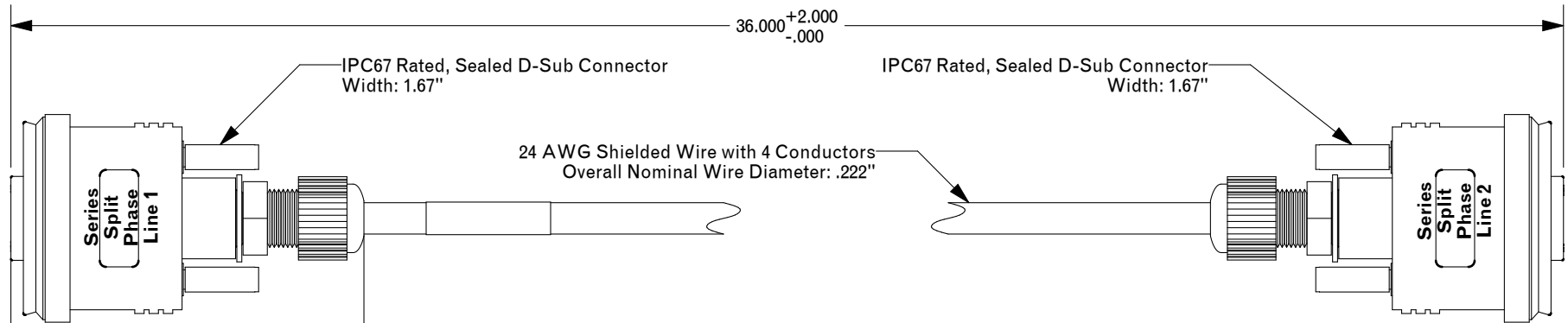


REVISIONS			
REV	DESCRIPTION	DATE	APPROVED
B	FIXED CONNECTOR PER ECO #12-15099	05/23/12	S SHAW
C	ADDED DIMENSIONS PER ECO #12-15212	06/20/12	J.Tichy
D	ADDED WEIGHT PER ECO 13-17281	10/21/13	DS



DB15 Female
SCALE 1.500

- Notes:
1. REFERENCE SYNQOR SPECIFICATION: 705-1000062
 2. WEIGHT: .025lb [.113kg]

TOLERANCES:
 Unless otherwise specified:
 All dimensions in inches
 .X +/- .025
 .XX +/- .010
 .XXX +/- .005
 Angles +/- 1°

THIRD ANGLE PROJECTION

THIS DRAWING IS THE PROPERTY OF SYNQOR INC.
 It is not to be reproduced or copied, in whole
 or in part, or used for furnishing information
 to others, or for any purpose detrimental to the
 interests of SynQor. The information shown herein
 may be protected by patents owned or controlled by SynQor,

SynQor 155 Swanson Road
 Boxborough, MA 01719

**UPS Configuration Cable
 2 Units Series**

SOURCE: PRO/E CONFIG_CABLE_2SERIES_15F-15F			
SIZE	DATE	DWG. NO.	REV
A	Jun-28-12	SYN-9313	D
SCALE: 0.750	DRAWN: SJS	CHECK:	SHEET 1 of 1